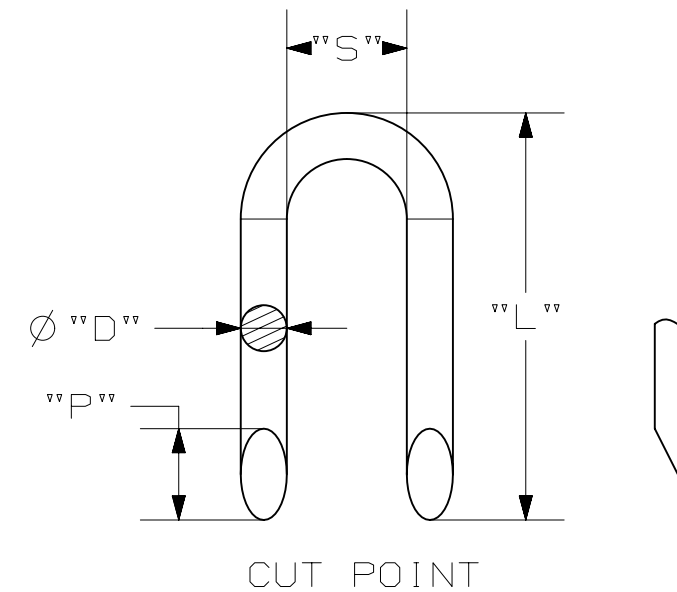
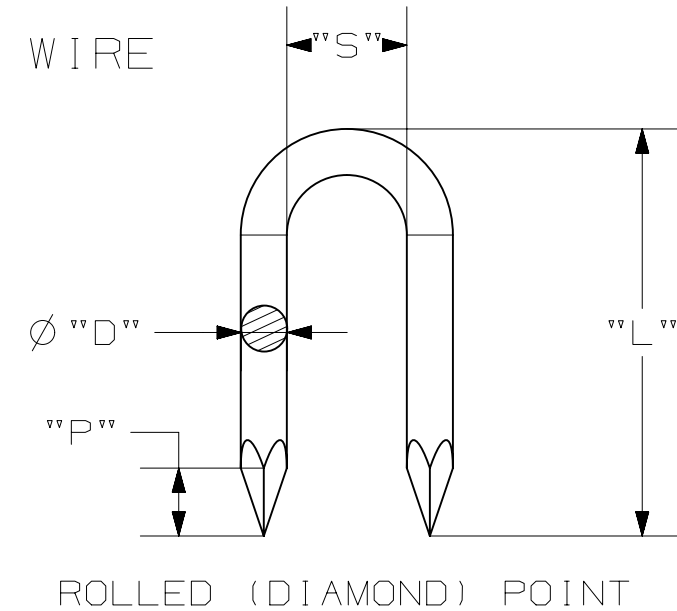


PART NO	FINISH	DESCRIPTION	"L"	"S"	"D"	"P"
7511	ELECTRO ZINC	ROLLED (DIAMOND) POINT	1	5/16	.120	1/4
C205-0207	ELECTRO ZINC	ROLLED (DIAMOND) POINT	1 1/2	3/8	.148	1/2
C205-0208	ELECTRO ZINC	ROLLED (DIAMOND) POINT	1 3/4	3/8	.148	1/2
7512	ELECTRO ZINC	ROLLED (DIAMOND) POINT	2	1/2	.162	9/16
C205-0209	ELECTRO ZINC	ROLLED (DIAMOND) POINT	2	5/8	.162	9/16
C205-0210	ELECTRO ZINC	ROLLED (DIAMOND) POINT	2	5/8	.189	9/16
7513	ELECTRO ZINC	ROLLED (DIAMOND) POINT	2	1 1/16	.189	5/8
7522	ELECTRO ZINC	ROLLED (DIAMOND) POINT	3	1 1/16	.250	7/8
C205-0211	ELECTRO ZINC	ROLLED (DIAMOND) POINT	3	1 1/2	.250	7/8
C205-0212	ELECTRO ZINC	ROLLED (DIAMOND) POINT	3 1/2	1 3/4	.250	7/8
C205-0213	HOT DP GALV	ROLLED (DIAMOND) POINT	1	5/16	.120	1/4
C205-0214	HOT DP GALV	ROLLED (DIAMOND) POINT	1 1/2	3/8	.148	1/2
C205-0215	HOT DP GALV	ROLLED (DIAMOND) POINT	1 3/4	3/8	.148	1/2
C205-0216	HOT DP GALV	ROLLED (DIAMOND) POINT	2	1/2	.162	9/16
C205-0217	HOT DP GALV	ROLLED (DIAMOND) POINT	2	5/8	.162	9/16
C205-0218	HOT DP GALV	ROLLED (DIAMOND) POINT	2	5/8	.189	9/16
C205-0219	HOT DP GALV	ROLLED (DIAMOND) POINT	2	1 1/16	.189	5/8
C205-0220	HOT DP GALV	ROLLED (DIAMOND) POINT	3	1 1/16	.250	7/8
C205-0221	HOT DP GALV	ROLLED (DIAMOND) POINT	3	1 1/2	.250	7/8
C205-0222	HOT DP GALV	ROLLED (DIAMOND) POINT	3 1/2	1 3/4	.250	7/8
C205-0223	COPPER COATED	ROLLED (DIAMOND) POINT	1	1/4	.114	1/4
C205-0224	COPPER COATED	ROLLED (DIAMOND) POINT	1 1/4	1/4	.114	1/4
C205-0225	COPPER COATED	ROLLED (DIAMOND) POINT	1 1/2	5/16	.144	1/2
9153	COPPER COATED	ROLLED (DIAMOND) POINT	1 3/4	3/8	.144	1/2
9154	COPPER COATED	ROLLED (DIAMOND) POINT	2	1/2	.162	9/16
C205-0226	COPPER COATED	ROLLED (DIAMOND) POINT	2	5/8	.162	9/16
C205-0227	COPPER COATED	ROLLED (DIAMOND) POINT	2 1/4	25/32	.189	5/8
C205-0229	COPPER COATED	ROLLED (DIAMOND) POINT	2	1 1/16	.189	5/8
C205-0230	COPPER COATED	ROLLED (DIAMOND) POINT	2 1/2	1 1/16	.189	5/8
C205-0232	COPPER COATED	ROLLED (DIAMOND) POINT	3	1	.250	7/8
9161	COPPER COATED	ROLLED (DIAMOND) POINT	3	1 1/16	.250	7/8
C205-0233	COPPER COATED	ROLLED (DIAMOND) POINT	3	1 1/2	.250	7/8
C205-0235	BRIGHT WIRE	ROLLED (DIAMOND) POINT	1 1/2	3/8	.148	1/2
C205-0237	BRIGHT WIRE	ROLLED (DIAMOND) POINT	2	1/2	.162	9/16
C205-0241	BRIGHT WIRE	ROLLED (DIAMOND) POINT	3	1 1/16	.250	7/8
C205-0242	BRIGHT WIRE	ROLLED (DIAMOND) POINT	3	1 1/2	.250	7/8
PSC2050505	HOT DP GALV	ROLLED (DIAMOND) POINT	1 1/2	1 1/2	.148	1/4
9169	COPPER COATED	CUT POINT	2	1/2	.162	5/16
C205-0244	COPPER COATED	CUT POINT	1 3/8	1/2	.162	5/16
C205-0245	COPPER COATED	CUT POINT	1 1/4	3/16	.114	1/4
9167	COPPER COATED	CUT POINT	1 1/2	3/8	.162	5/16
751134	HOT DP GALV	CUT POINT	1 1/2	1/4	.148	1/4
C205-0247	HOT DP GALV	CUT POINT	1 1/2	1/4	.148	1/4

- NOTE -  
1. MATERIAL: STEEL WIRE



LATEST EC NO:	REV.	DATE	CHANGED BY	RESP ENGINEER
---	B	12/05/12	BERGER	KIRK
DRN BY: DATE			TITLE:	
JOB# 11/03/03			STAPLES	
DO NOT SCALE THIS DWG			THIRD ANGLE PROJECTION	
			ISO DUAL DIMENSIONS IN=INCH, MM=MILLIMETER	
HUBBELL POWER SYSTEMS			CHANCE	
CAE CAD CAM			DWG NO: SA7511	
			SIZE B	

CONFIDENTIAL: THIS DRAWING AND ITS CONTENTS ARE CONFIDENTIAL AND THE EXCLUSIVE PROPERTY OF HUBBELL POWER SYSTEMS, INC. NO PUBLICATION, DISTRIBUTION OR COPIES MAY BE MADE WITHOUT WRITTEN CONSENT BY HUBBELL POWER SYSTEMS, INC. © 2012 HUBBELL POWER SYSTEMS. UNPUBLISHED, ALL RIGHTS RESERVED UNDER THE COPYRIGHT LAWS